

## 15-26.5GHz Super-Low NF Low Noise Amplifier



### Product Overview

AT-LNA-1526-3002Y is super low NF, broadband low noise amplifier from 15GHz to 26.5GHz. The NF is 2dB for the full-band. The DC power requirement is +5V/120mA. It also works with power supply from +5V to +8V. The module is with 2.92mm Female.

AT Microwave can provide all kinds of coaxial low noise amplifiers, with frequency from 0.01-67GHz, gain from 20 to 60dB, Pout from +5 to +27dBm, and connectors from SMA to 1.85mm.

More information, please visit [www.atmicrowave.com](http://www.atmicrowave.com)

### Advantages

- ✓ Frequency: 15-26.5GHz
- ✓ Small signal gain: 30dB
- ✓ Noise Figure: 2.1 dB
- ✓ Single Power Supply

### Application

- ✓ Broadband Communication
- ✓ Test Equipment
- ✓ ROF (RF Over Fiber)
- ✓ Radar System

### Key Features

Parameter	Min	Typical	Max
Frequency		15-26.5GHz	
Gain	28dB	30dB	
Gain Flatness		+/-0.75dB	+/-1.5dB
NF		2.1dB	2.5dB
P1dB		+10dBm	
Psat		+12dBm	
Drain Supply		+5V	+8V
Current		120 mA	150mA
Input Return Loss	-6	-10 dB	
Output Return Loss	-6	-12 dB	
Spec Temp		25C	





# AT-LNA-1526-3002Y

15-26.5GHz Low Noise Amplifier

## Mechanical Information

Item	Description
Input Port	2.92mm Female
Output Port	2.92mm Female
Case Material	Copper
Package Sealing	Epoxy Sealed
Finish	Gold Plated
Weight (Without Heatsink)	50g
Size:	30x30x14 mm

## Absolute Maximum Ratings Table

Parameter	Value
Drain Supply	+13V
RF Input Power	+10dBm
Operating Temperature(note)	-20 to +70C
Storage Temperature	-65 to +150C

Note: -40 to +85C is available according to request.

## Notes:

1. Datasheet may be changed according to update of MMIC, Raw materials , process, and so on.
2. This data is only for reference, not for guaranteed specifications.
3. Please contact AT Microwave team to make sure you have the most current data.

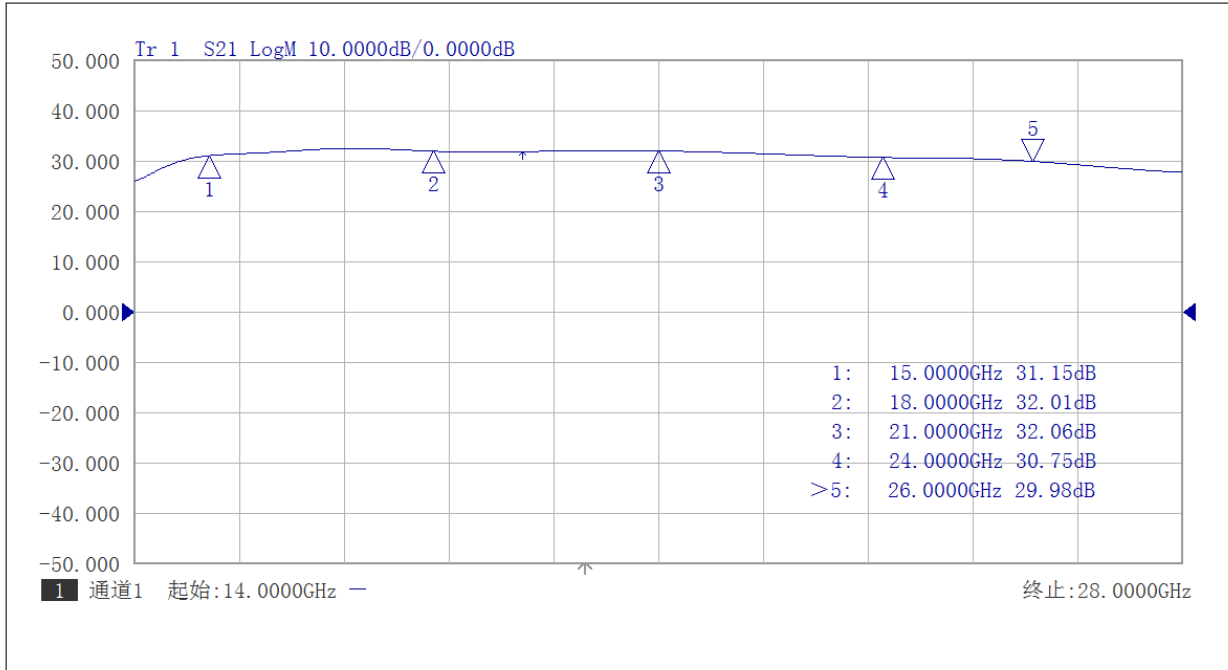
## Part Number Selection Guide

Item	Description
PN	Stand Module with DC Power Supply
<b>PN-LCBT</b>	<b>L</b> ow Cost, <b>C</b> ompact <b>B</b> ench- <b>T</b> op, +220V Supply with AC/DC Adapter

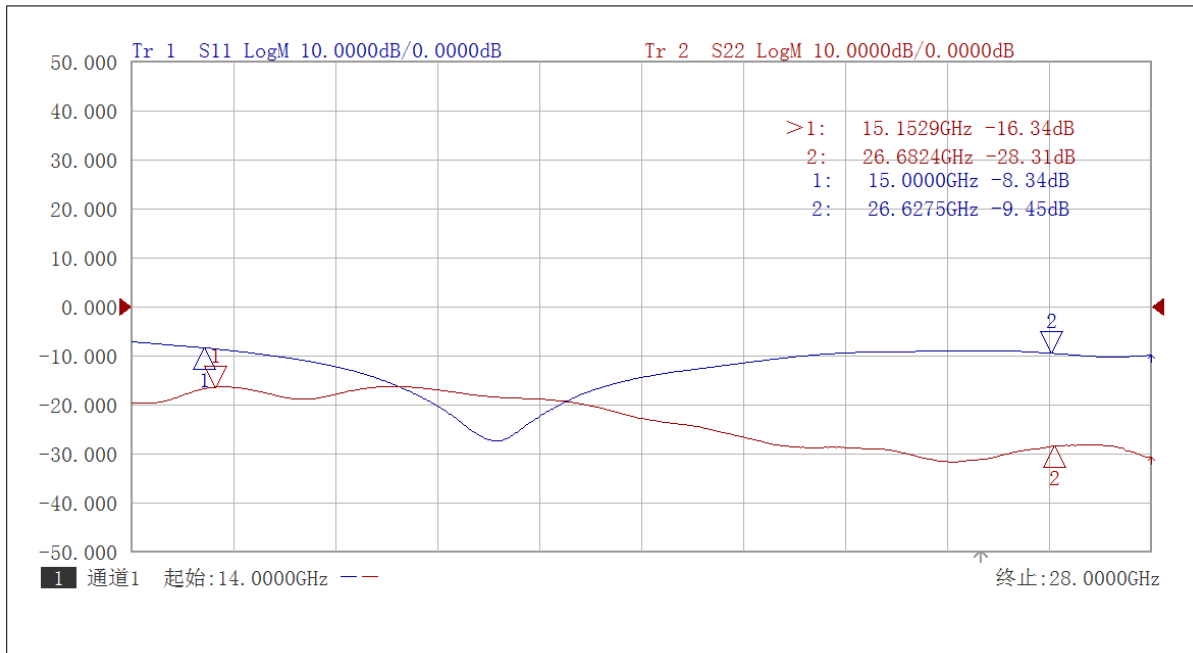


## Test Data (25C)

Please note that test curves will vary slightly from unit to unit.

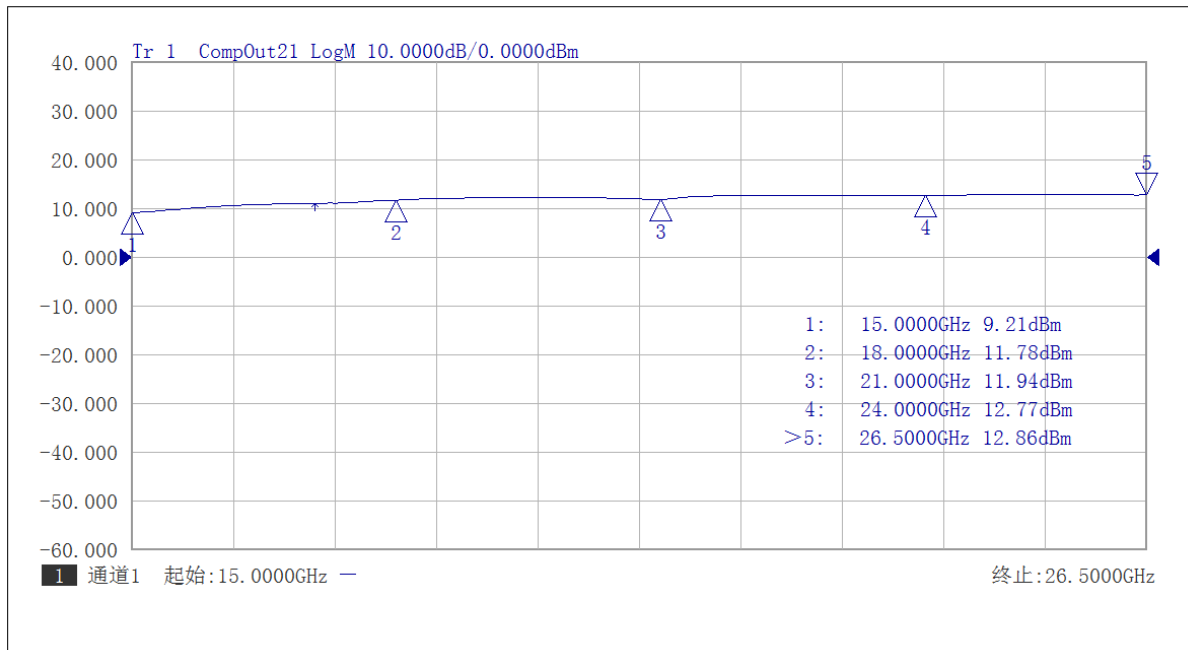


Gain vs Frequency

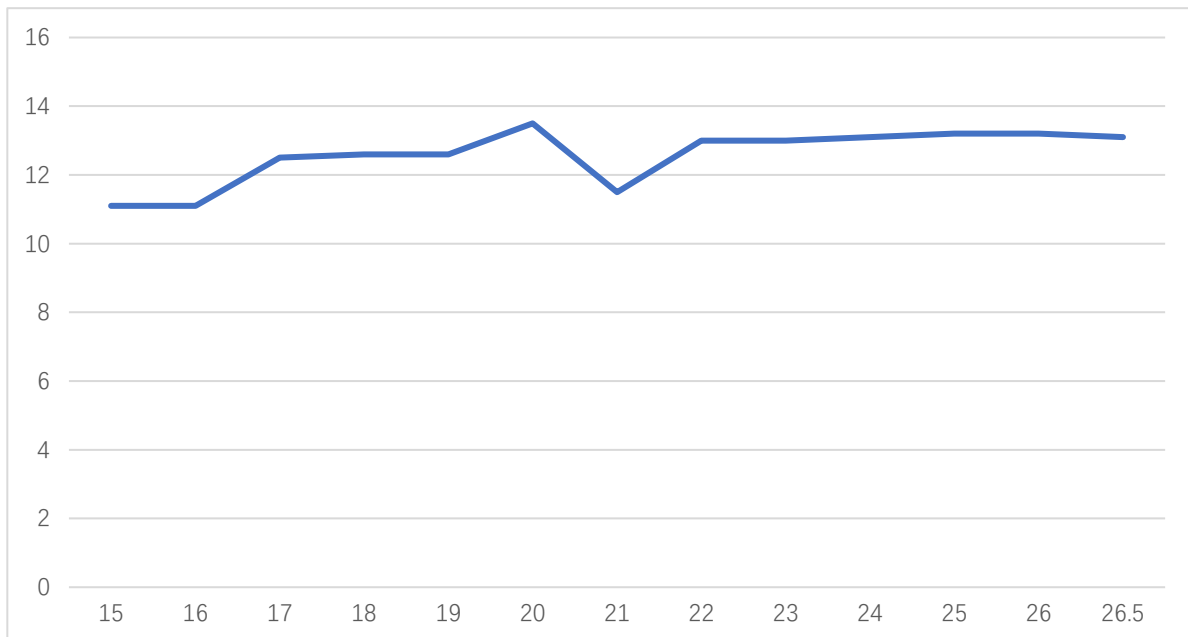


Return Loss vs Frequency



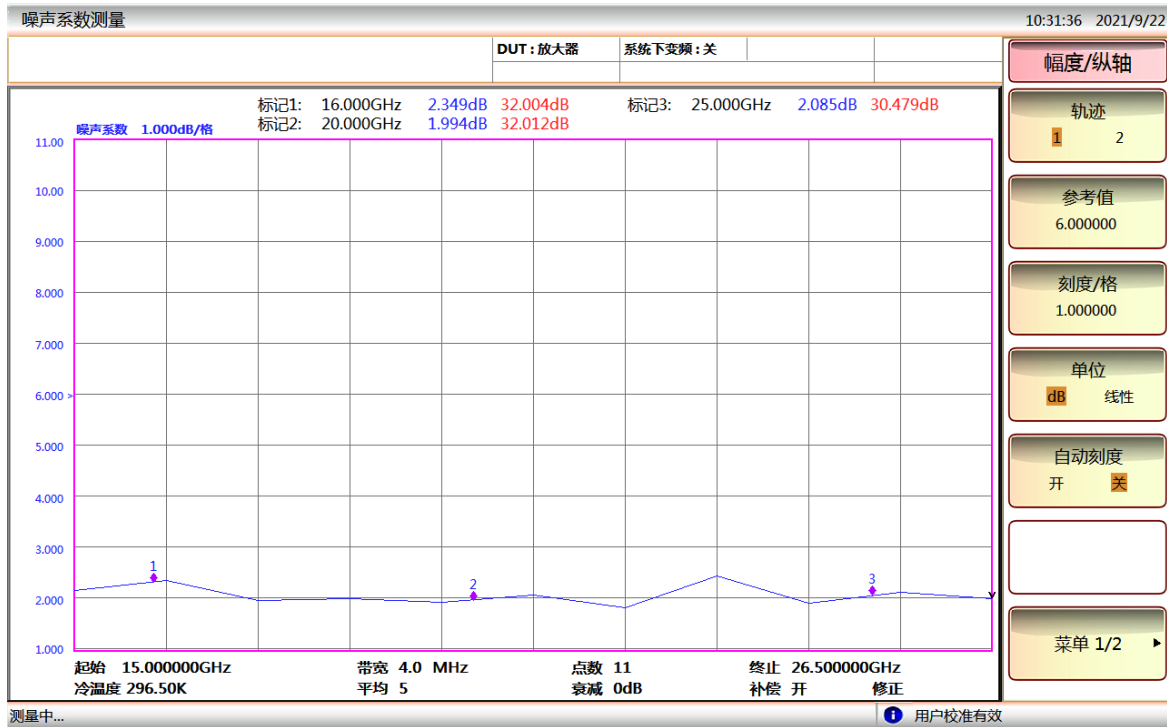


P1Db vs Frequency



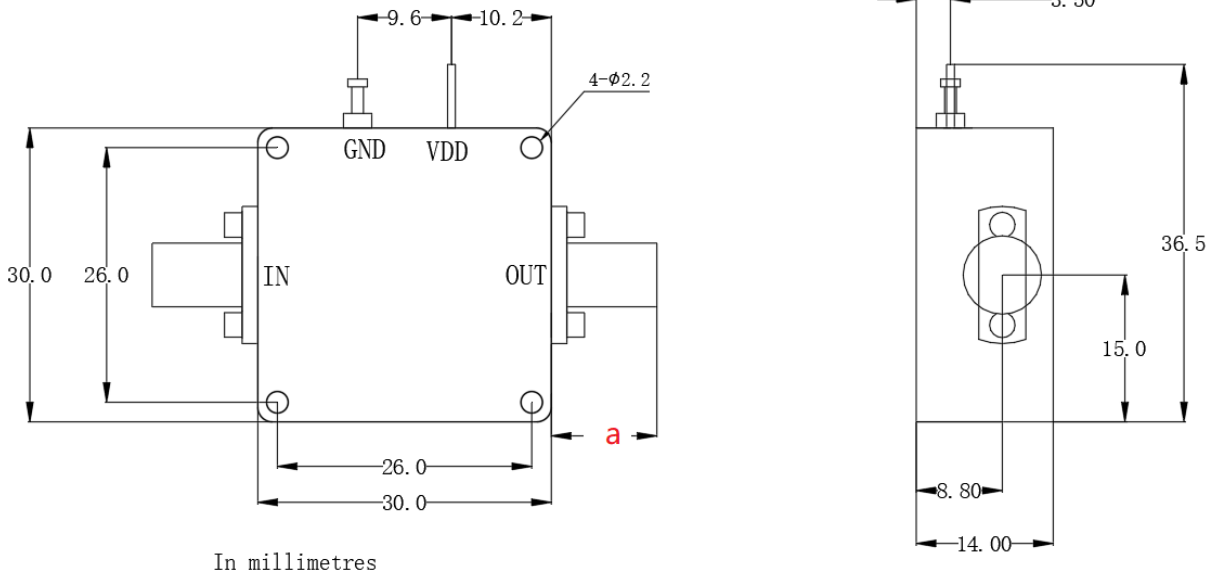
Psat vs Frequency





NF vs Frequency

### Dimension: (unit in mm)



	<26.5GHz	<40GHz	<50GHz	<67GHz
Connector	SMA	2.92mm	2.4mm	1.85mm
Lenth of a	9.4mm	9.5mm	10.8mm	11.3mm

Note: Female Default. Contact with us for other types.

